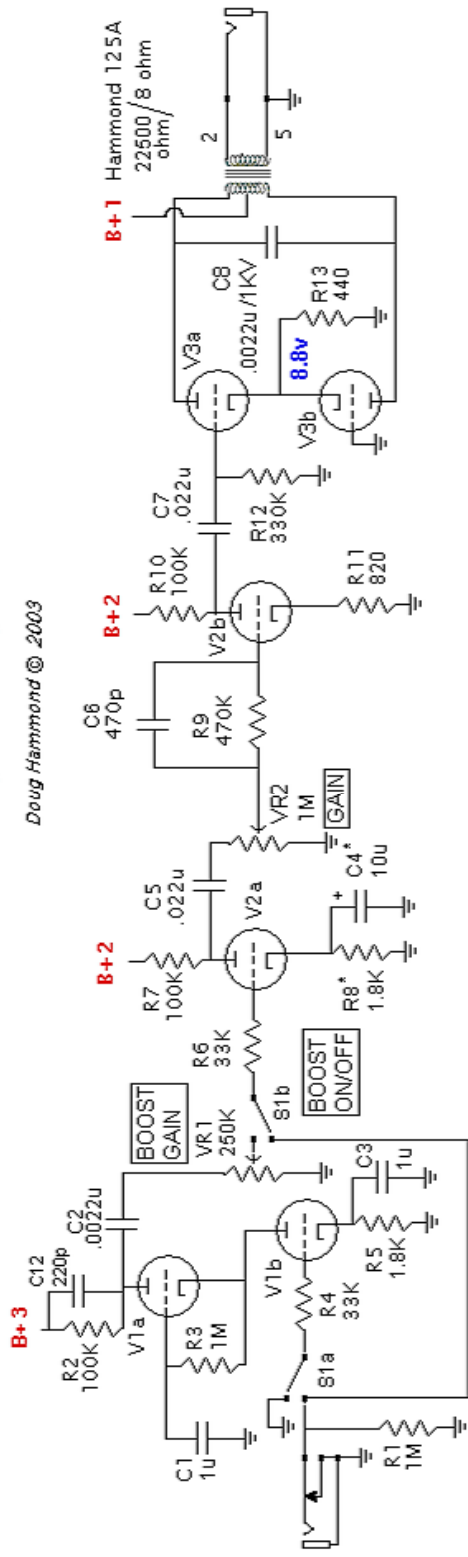


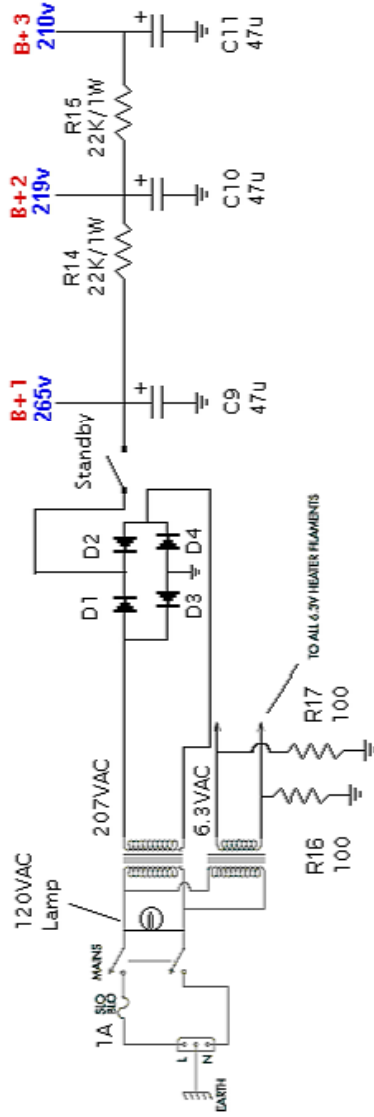
FireFly Rev.3

12au7 self-split output stage
 Switchable cascode boost stage for more gain, harmonics, and compression.

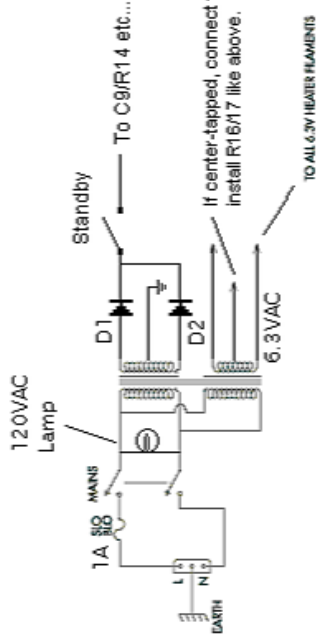
Doug Hammond © 2003



Power supply wiring using non center-tapped isolation transformer and separate filament transformer:



Power supply wiring using center-tapped 190-0-190 power/filament transformer such as Hammond 269EX:



D1-D4: 1N4007
 V1, V2: 12AX7
 V3: 12AU7

All resistors 1/2 Watt unless otherwise noted.
 Use 400V caps just to be safe.

* R8/C4 tweaked for fuller bass and smoother highs compared to Rev. 2.

Thanks to Niek for the inspiration!