

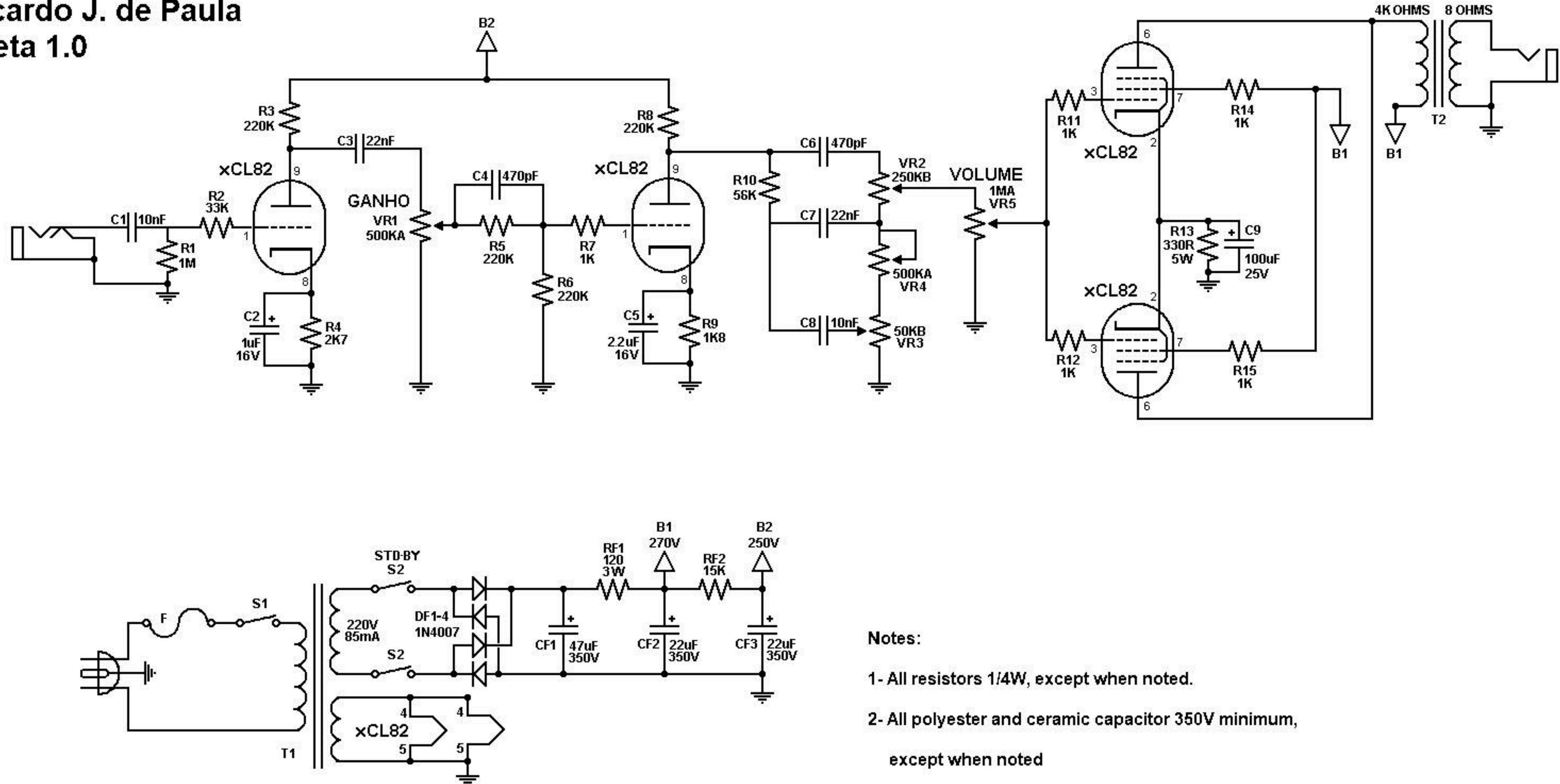
# Carmine

EPX-82 / 7W TUBE AMP

Carmine Amps

Author: Ricardo J. de Paula

Version: Beta 1.0



## Notes:

- 1- All resistors 1/4W, except when noted.
- 2- All polyester and ceramic capacitor 350V minimum, except when noted



# Carmine

EPX-82 / 7W TUBE AMP

Carmine Amps

Author: Ricardo J. de Paula

Version: Beta 1.0

